

Galvanized Steel Fire Damper • 15S, 30S, 15D, 30D

Application

The X-Style Sleeve is an integral sleeve frame. The sleeve length comes in 2 depths, 12" and 14". The integral sleeve frame comes in three different styles. The "A" style is without any transition, and the blades are in the air stream (see also SD-15S, SD-30S, SD-15D, SD-30D). The "B" style has a B-Pan so the blades are out of the airstream (see also SI-BPAN). The "C" style is with a round, oval, or square transition and has 100% Free Area (see also SI-TRFD).

Panel Size Limitations

Orientation	Horizontal & Vertical	Horizontal	Vertical		
Panel	Minimum Panel	Maximum Section	Maximum Section		
Model	15SX	A	4"W x 4"H	48"W x 48"H	60"W x 60"H
		B	4"W x 3"H duct (4"W x 5"H frame)	48"W x 43"H duct (48"W x 48"H frame)	60"W x 55"H duct (60"W x 60"H frame)
		C	4"W x 4"H duct (6"W x 7"H frame)	46"W x 42"H duct (48"W x 48"H frame)	58"W x 54"H duct (60"W x 60"H frame)
	30SX	A	4"W x 4"H	48"W x 48"H	36"W x 36"H
		B	4"W x 3"H duct (4"W x 5"H frame)	48"W x 43"H duct (48"W x 48"H frame)	36"W x 32"H duct (36"W x 36"H frame)
		C	4"W x 4"H duct (6"W x 7"H frame)	46"W x 42"H duct (48"W x 48"H frame)	34"W x 31"H duct (36"W x 36"H frame)
	15DX	A	4"W x 4"H	24"W x 24"H	36"W x 36"H
		B	4"W x 3"H duct (4"W x 5"H frame)	24"W x 21"H duct (24"W x 24"H frame)	36"W x 32"H duct (36"W x 36"H frame)
		C	4"W x 4"H duct (6"W x 7"H frame)	22"W x 20"H duct (24"W x 24"H frame)	34"W x 31"H duct (36"W x 36"H frame)
30DX	A	4"W x 4"H	24"W x 24"H	36"W x 36"H	
	B	4"W x 3"H duct (4"W x 5"H frame)	24"W x 21"H duct (24"W x 24"H frame)	36"W x 32"H duct (36"W x 36"H frame)	
	C	4"W x 4"H duct (6"W x 7"H frame)	22"W x 20"H duct (24"W x 24"H frame)	34"W x 31"H duct (36"W x 36"H frame)	

Standard Construction and Materials

SLEEVE FRAME: 22 GA. one-piece roll-formed galvanized steel.

BLADE: 22 GA. galvanized steel, curtain type.

FUSIBLE LINK: UL-Listed 165°F, replaceable.

CLOSURE SPRINGS: For all Dynamic and Horizontal Static Models

Heat-treated Type 301 stainless steel constant force coiled negator type.

FINISH: Mill.

FOR "C" STYLE DAMPERS

TRANSITION CAPS: 20 GA. galvanized steel, riveted to sleeve frame.

DUCT COLLARS: 24 GA. galvanized steel, crimped to transitions.

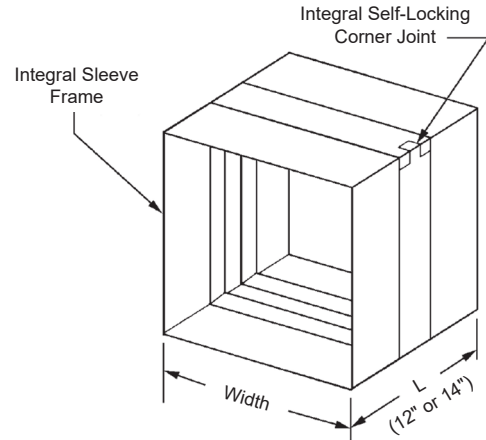
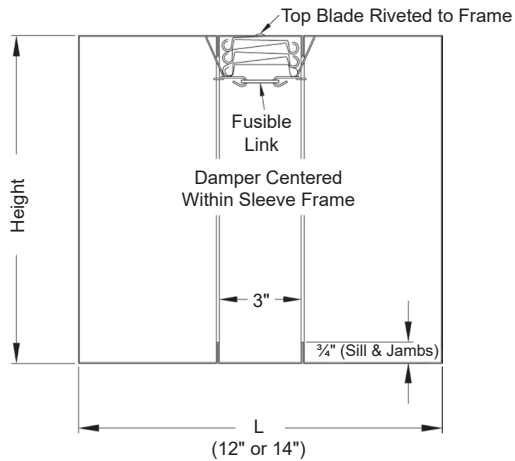
Options

212°F replaceable fusible link
 PK1202 position indicator switch
 B-Pan, round, oval, or square transitions
 Tab-lock retaining angles
 Perimeter flange
 Pull ring

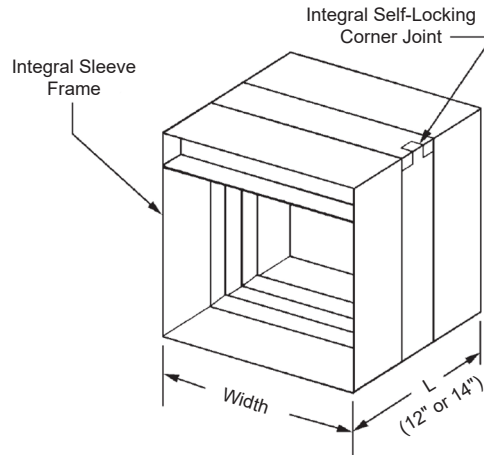
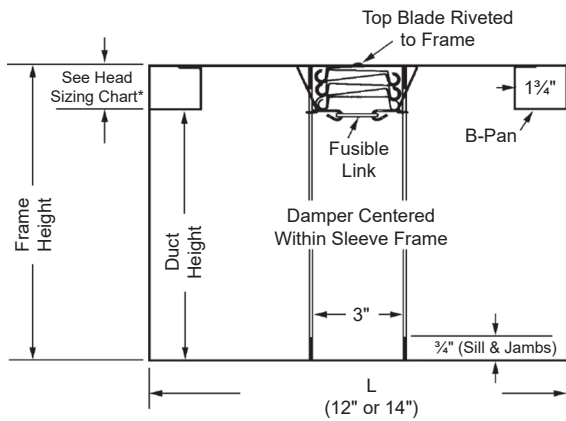
Notes

1. Nominal deductions will be made to the opening size given.

"A" Style

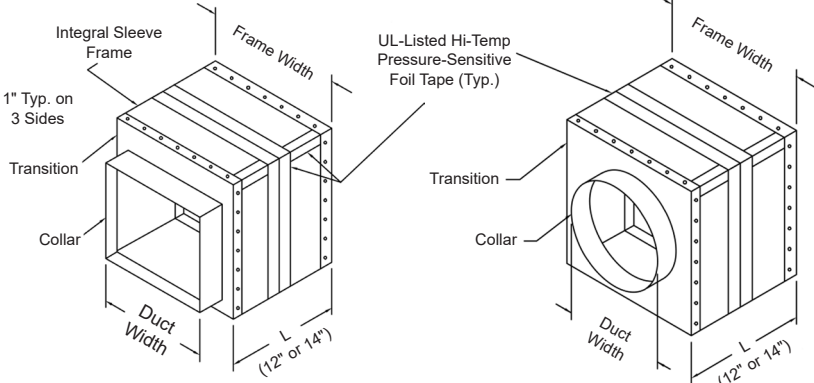
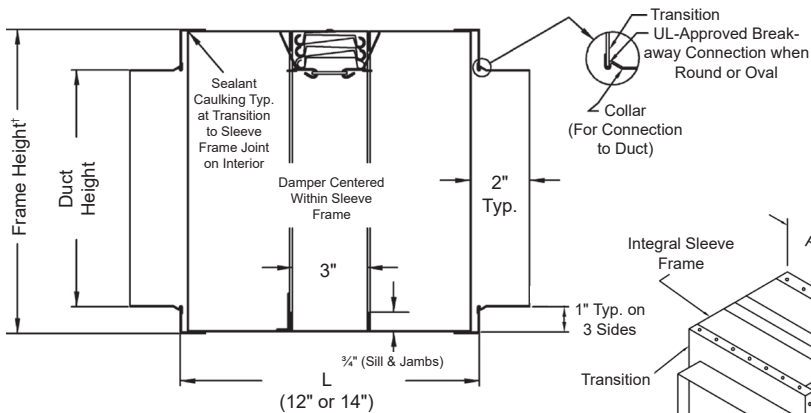


"B" Style (with B-Pan Transition for Blades Out of Airstream)



*Head Sizing Chart on SI-BPAN.

"C" Style (with Transition for 100% Free Area)



*Sizing Chart on SI-TRFD.